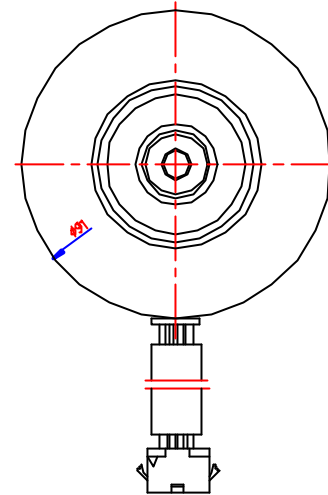
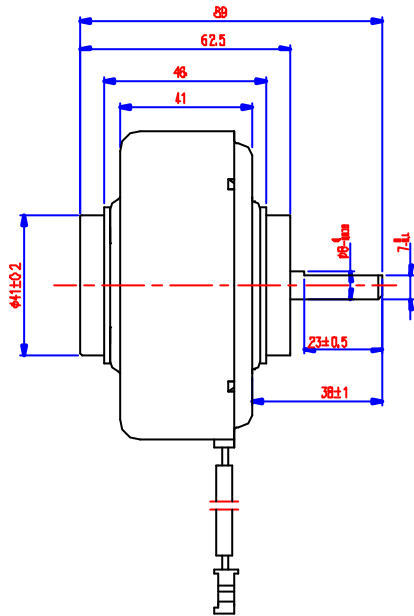


# ZDWK-15



Motor Model	Speed at Max Efficiency (rpm)	Max-Operating Voltage (V)	Current at Max Efficiency (A)	Max Tourque ( N.m)	Use
ZDWK-15	1450	24	0.9	0.2	A/C motor