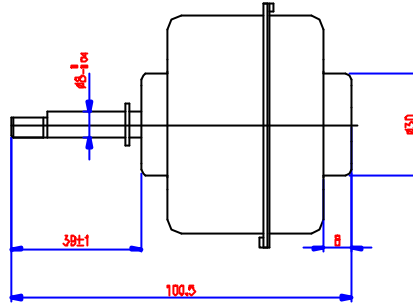
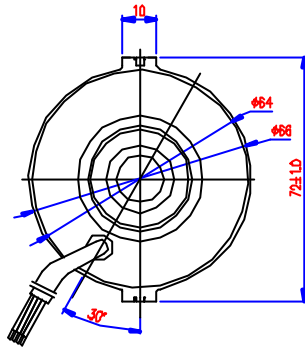


ZDW-15



Motor Model	Speed at Max Efficiency (rpm)	Max-Operating Voltage (V)	Current at Max Efficiency (A)	Max Torque (N.m)	Use
ZDW-15	2350	12	1.3	0.025	Magic ball motor