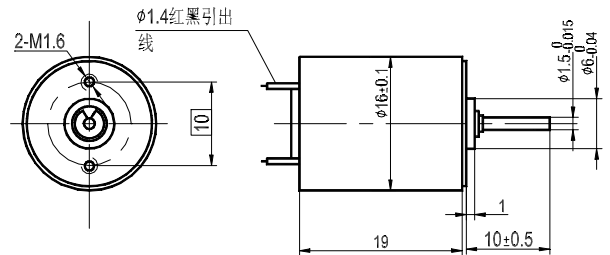


# ZJTEX ELECTRIC MOTOR GROUP

## CORELESS DC SERVO MOTOR

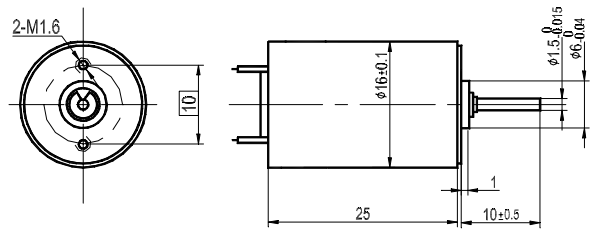
### Φ16 Type coreless DC servo motor

Model	(V) Voltage	(rpm) No load speed	(gcm) Load torque	(rpm) Load speed	(mA) Load current	(W) Output power
16SYK0351	3	6800	1.5	4100	100	0.063



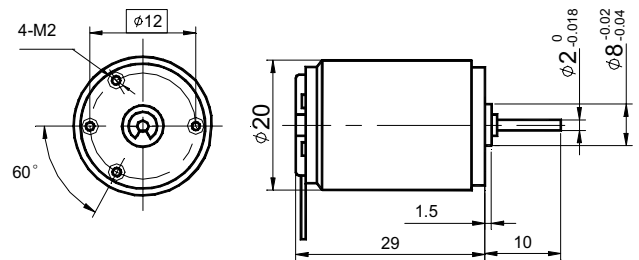
### Φ16 Type coreless DC servo motor

Model	(V) Voltage	(rpm) No load speed	(gcm) Load torque	(rpm) Load speed	(mA) Load current	(W) Output power
16SYK0651	6	9500	10	5000	250	0.5



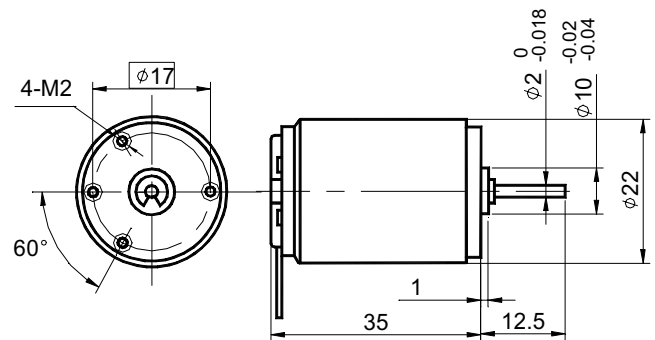
### Φ20 Type coreless DC servo motor

Model	(V) Voltage	(rpm) No load speed	(gcm) Load torque	(rpm) Load speed	(mA) Load current	(W) Output power
20SYK1251	12	4000	10	2900	50	0.3



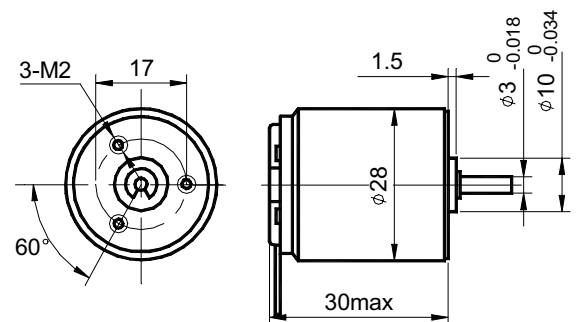
### Φ22 Type coreless DC servo motor

Model	(V) Voltage	(rpm) No load speed	(gcm) Load torque	(rpm) Load speed	(mA) Load current	(W) Output power
22SYK0251	2.4	2400	7	1800	110	0.129
22SYK0651	6	5200	30	4100	290	1.2
22SYK0951	9	6800	30	5500	270	1.7



### Φ28 Type coreless DC servo motor

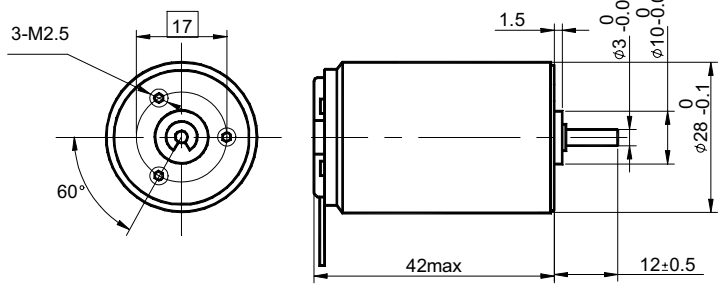
Model	(V) Voltage	(rpm) No load speed	(gcm) Load torque	(rpm) Load speed	(mA) Load current	(W) Output power
28SYK0952	9	4000	10	3200	120	0.32



# ZJTEX ELECTRIC MOTOR GROUP

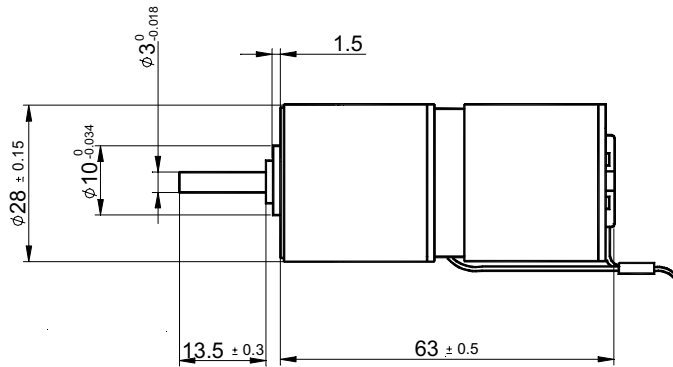
## Φ28Type coreless DC servo motor

Model	(V) Voltage	(rpm) No load speed	(g.cm) Load torque	(rpm) Load speed	(mA) Load current	(W) Output power
28SYK0951	9	6000	30	5400	260	1.7
28SYK1251	12	5200	30	4800	160	1.5
28SYK2451	24	5100	200	3400	500	6.8
28SYK3651	36	5300	100	4100	165	4.2



## Φ28/28Type coreless DC servo motor

Model	Motor					Generator			
	(V) Rated voltage	(g.cm) Rated torque	(rpm) Rated speed	(mA) Rated current	(W) Power	(V) Starting voltage	(Ω) Terminal resistance	(V/1000rpm) Back-EMF constant	(Ω) Impedance
28SYK1253/28CYK01	12	30	5000	250	1.5	0.6	13.5	1.5	13.5



## Φ28/28Type coreless DC servo motor

Model	Motor					Generator			
	(V) Rated voltage	(g.cm) Rated torque	(rpm) Rated speed	(mA) Rated current	(W) Power	(V) Starting voltage	(Ω) Terminal resistance	(V/1000rpm) Back-EMF constant	(Ω) Impedance
28SYK1851/28CYK01	18	60	5000	300	3	0.4	8.5	3	87

