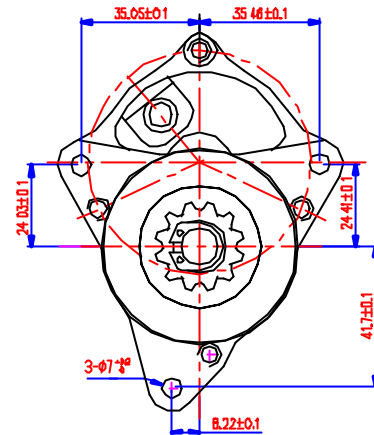
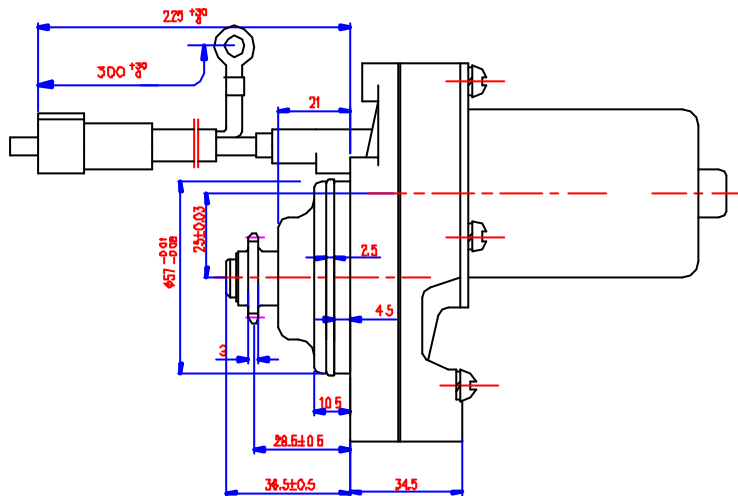


ZYQ-50



Motor Model	Speed at Max Efficiency (rpm)	Max-Operating Voltage (V)	Current at Max Efficiency (A)	Max Tourque (N.m)	Use
ZYQ-50	1400	12	39	1.6	Motorcycle start motor