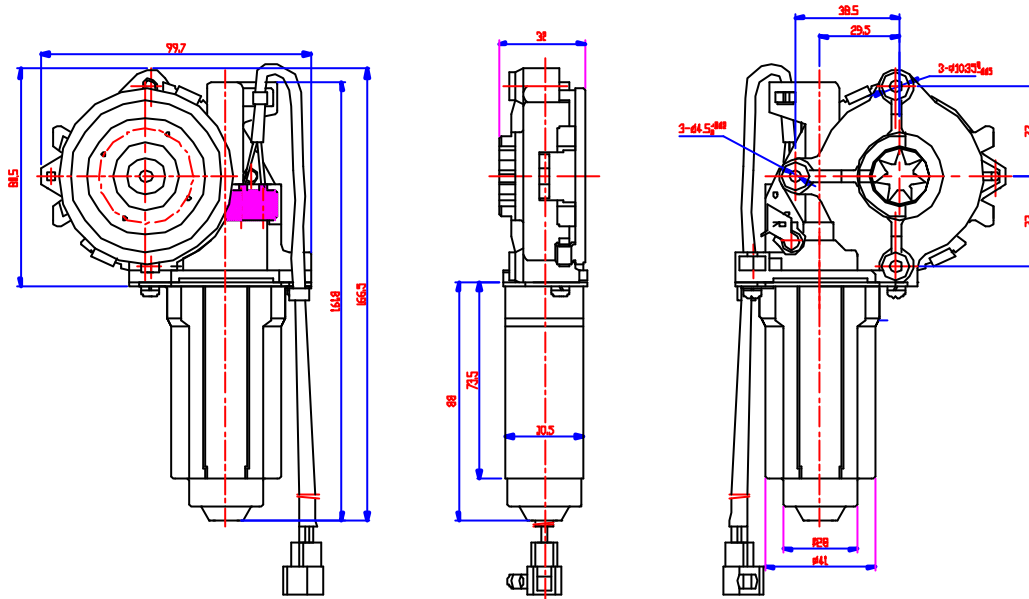


ZYJ-40-3



Motor Model	Speed at Max Efficiency (rpm)	Max-Operating Voltage (V)	Current at Max Efficiency (A)	Max Torque (N.m)	Use
ZYJ-40-3	80	12	4	2.3	Glass carrier set driving motor