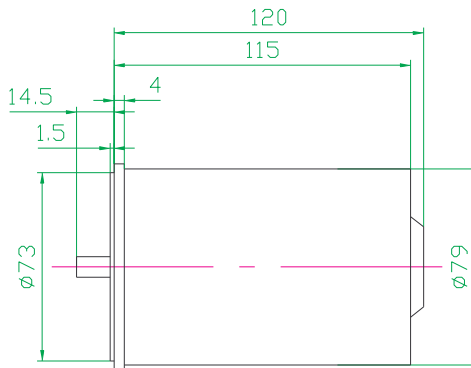
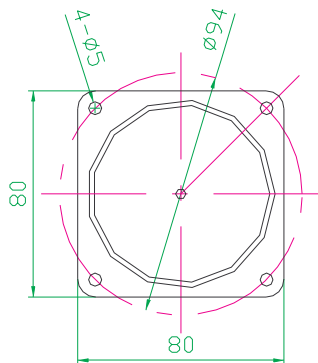


Model : ZDM-50 □A motor



characteristics

